



CATALOGUE
FILTRES UNIVERSELS
2005



Liste au 15.01.05
N° 1

SOMMAIRE

	pages
FILTRES UNIVERSELS CONIQUES	3-5
FILTRES UNIVERSELS CONIQUES BI-CONE	5
FILTRES KARTING	5
FILTRES UNIVERSELS CYLINDRIQUES	6-7
FILTRES UNIVERSELS CYLINDRIQUES BI-CONE	8
FILTRES UNIVERSELS CYLINDRIQUES (entrée métal)	8
DIAMOND	8
TWISTER	9
POWERFLOW CONIQUE	10-11
POWERFLOW CYLINDRIQUE	12-13
PRODUITS DE NETTOYAGE	13
FIGURES	14-15



FILTRES UNIVERSELS CONIQUES

Ref. Green	Code tarif Price code	D1 / L1	D2 / L2	D3 / L3	D4 / L4	D5 / L5	D6 / L6	H	Figure View	Angle	Chapeau Cap flange	Applicatif
K1.20	02	20	60	35	15	-	-	50	25	-	INOX	Universel
K2.20	04	20	60	100	15	-	-	100	27	-	INOX	Universel
KKA110	02	25	50	35	15	-	-	45	25	-	INOX	Karting
KKA111	03	25	50	35	15	-	-	85	25	-	INOX	Karting
KSC001	03	28	75	50	40	-	-	85	26	25°	INOX	Universel Scooter
K1.30	02	30	70	50	15	-	-	50	25	-	INOX	Universel
K1.35	03	35	70	50	15	-	-	80	25	-	INOX	Universel
KKA102	02	35	70	50	15	-	-	60	25	-	INOX	Karting/Universel Honda GX 160/200
KSC002	03	35	75	50	40	-	-	85	26	25°	INOX	Universel Scooter
K1.40	03	40	70	50	15	-	-	80	25	-	INOX	Universel
K2.40	03	40	70	100	15	-	-	80	27	-	INOX	Universel
K1.44EX	05	44	75	102	51	78	15	70	70	-	INOX	Universel Moto
K1.44EX / R	04	44	75	102	51	78	15	70	103	-	RUBBER	Universel Moto
K1.50	07	50	100	140	15	-	-	100	27	-	RUBBER	Universel
K2.50	06	50	100	75	15	-	-	130	25	-	INOX	Universel
K3.50	07	50	100	75	15	-	-	160	25	-	INOX	Universel
K4.50	05	50	140	100	15	-	-	70	25	-	INOX	Universel
K5.50	04	50	100	50	15	-	-	70	25	-	INOX	Universel
K6.50EX	07	50	135	120	15	-	-	140	41	-	INOX	Universel
K7.50	04	50	80	50	15	-	-	75	25	-	INOX	Universel
K8.50EX	07	50	180	120	15	-	-	100	25	-	INOX	Universel
K9.50EX	06	50	135	120	15	-	-	50	25	-	INOX	Universel
K1.51EX	05	51	75	102	51	78	15	70	70	-	INOX	Universel Moto
K1.51EX / R	04	51	75	102	51	78	15	70	103	-	RUBBER	Universel Moto
K2.51EX	05	51	75	102	51	78	23	60	70	-	INOX	Universel Moto
K2.51EX / R	04	51	75	102	51	78	23	60	103	-	RUBBER	Universel Moto
K1.55	04	55	100	75	15	-	-	100	25	-	INOX	Universel
K2.55	06	55	100	155	15	-	-	130	27	-	RUBBER	Universel
K3.55	10	55	140	100	15	-	-	130	25	-	INOX	Universel
K4.55	15	55	140	200	15	-	-	250	27	-	RUBBER	Universel
K5.55EX	05	55	75	102	51	78	15	70	70	-	INOX	Universel Moto
K5.55EX / R	04	55	75	102	51	78	15	70	103	-	RUBBER	Universel Moto
K1.60	03	60	100	75	15	-	-	55	25	-	INOX	Universel
K2.60	05	60	100	75	15	-	-	130	25	-	INOX	Universel
K4.60	07	60	140	75	15	-	-	150	25	-	INOX	Universel
K5.60	12	60	140	75	15	-	-	200	25	-	INOX	Universel
K60.60	07	60	140	120	15	-	-	150	25	-	INOX	Universel
K7.60	10	60	120	100	15	-	-	140	25	-	INOX	Universel
K7.60V	11	60	120	100	15	-	-	140	25	-	INOX & SCREW	Universel
KO 002	08	61	117	120	-	15	-	154	43	-	INOX	Universel
KKA122	16	62,5	100	120	45	-	-	150	28	25°	Bi-cone	Karting
KKA123	17	62,5	100	120	15	-	-	150	27	-	Bi-cone	Karting
KKA126	05	62,5	140	120	15	-	-	102	25	-	INOX	Karting
KKA127	09	62,5	140	180	15	-	-	150	27	-	INOX	Karting
KKA128	14	62,5	140	120	15	-	-	150	25	-	Bi-cone	Karting
KKA129	14	62,5	140	180	15	-	-	150	27	-	INOX	Karting
KO 001	12	63	115	85	115	15	-	140	44	-	INOX	Universel
K25.165	05	64	152	120	38	-	-	130	55	-	RUBBER	Universel (Entrée "venturi")
K25.265	05	64	152	120	38	-	-	150	55	-	RUBBER	Universel (Entrée "venturi")
K25.365	06	64	152	120	38	-	-	200	55	-	RUBBER	Universel (Entrée "venturi")
K2.65	05	65	100	75	15	-	-	130	25	-	INOX	Universel
K3.65	05	65	100	75	15	-	-	150	25	-	INOX	Universel
K4.65	07	65	120	140	15	-	-	150	27	-	RUBBER	Universel
K5.65	04	65	140	75	15	-	-	80	25	-	INOX	Universel
K6.65	09	65	140	100	15	-	-	180	25	-	INOX	Universel
K7.65	10	65	140	100	15	-	-	250	25	-	INOX	Universel
K8.65	06	65	100	75	45	-	-	130	26	25°	INOX	Universel
K9.65	07	65	100	75	45	-	-	150	26	25°	INOX	Universel
K10.65	06	65	140	100	15	-	-	68	25	-	INOX	Universel
K1.70	04	70	100	75	15	-	-	80	25	-	INOX	Universel
K2.70	06	70	120	75	75	-	-	100	26	30°	INOX	Universel
K3.70	05	70	100	75	15	-	-	130	25	-	INOX	Universel
K4.70	07	70	120	100	75	-	-	140	26	30°	INOX	Universel



FILTRES UNIVERSELS CONIQUES (suite)

Ref. Green	Code tarif Price code	D1 / L1	D2 / L2	D3 / L3	D4 / L4	D5 / L5	D6 / L6	H	Figure View	Angle	Chapeau Cap flange	Applicatif
K4.70V	08	70	120	100	75	-	-	140	26	30°	INOX & SCREW	Universel
K5.70	05	70	120	100	15	-	-	140	25	-	INOX	Universel
K5.70V	06	70	120	100	15	-	-	140	25	-	INOX & SCREW	Universel
K6.70	08	70	120	100	75	-	-	160	26	30°	INOX	Universel
K6.70V	09	70	120	100	75	-	-	160	26	30°	INOX & SCREW	Universel
K7.70	07	70	140	100	15	-	-	200	25	-	RUBBER	Universel
K8.70	08	70	120	100	75	-	-	200	26	30°	INOX	Universel
K8.70V	09	70	120	100	75	-	-	200	26	30°	INOX & SCREW	Universel
K10.70	07	70	120	100	15	-	-	150	25	-	INOX	Universel
K11.70	07	70	140	200	15	-	-	70	27	-	RUBBER	Universel
K12.70	06	70	140	100	15	-	-	100	25	-	INOX	Universel
K13.70	07	70	140	100	15	-	-	130	25	-	INOX	Universel
K14.70	10	70	140	100	15	-	-	200	25	-	INOX	Universel
K14.70V	11	70	140	100	15	-	-	200	25	-	INOX & SCREW	Universel
K15.70	05	70	150	125	15	-	-	150	25	-	RUBBER	Universel
K16.70	05	70	150	125	15	-	-	90	25	-	RUBBER	Universel
K17.70	06	70	120	75	60	-	-	130	26	-	INOX	Universel
K18.70	10	70	150	100	15	-	-	140	25	-	INOX	Universel
K18.70V	11	70	150	100	15	-	-	140	25	-	INOX & SCREW	Universel
K19.70	08	70	150	120	15	-	-	150	25	-	INOX	Universel
K25.170	05	70	152	120	38	-	-	130	55	-	RUBBER	Universel (Entrée "venturi")
K25.270	05	70	152	120	38	-	-	150	55	-	RUBBER	Universel (Entrée "venturi")
K25.370	06	70	152	120	38	-	-	200	55	-	RUBBER	Universel (Entrée "venturi")
K60.70	08	70	140	120	15	-	-	180	25	-	INOX	Universel
K1.75	04	75	110	75	15	-	-	100	25	-	INOX	Universel
K2.75	05	75	110	75	15	-	-	130	25	-	INOX	Universel
K3.75	06	75	110	120	15	-	-	150	27	-	INOX	Universel
K4.75	07	75	120	100	15	-	-	130	25	-	INOX	Universel
K5.75	07	75	140	100	15	-	-	130	25	-	INOX	Universel
K6.75	09	75	140	100	15	-	-	150	25	-	INOX	Universel
K7.75	15	75	180	100	15	-	-	200	25	-	INOX	Universel
K7.75V	16	75	180	100	15	-	-	200	25	-	INOX & SCREW	Universel
K8.75	09	75	150	125	15	-	-	150	25	-	RUBBER	Universel
K9.75	06	75	140	120	15	-	-	150	25	-	INOX	Universel
K25.175	05	75	152	120	38	-	-	130	55	-	RUBBER	Universel (Entrée "venturi")
K25.275	05	75	152	120	38	-	-	150	55	-	RUBBER	Universel (Entrée "venturi")
K25.375	06	75	152	120	38	-	-	200	55	-	RUBBER	Universel (Entrée "venturi")
K60.75	08	75	150	120	15	-	-	230	25	-	INOX	Universel
K61.75	11	75	150	120	15	-	-	200	25	-	INOX	Universel
K62.75	08	75	150	120	15	-	-	150	25	-	INOX	Universel
K1.80	06	80	110	75	15	-	-	130	25	-	INOX	Universel
K2.80	10	80	110	75	15	-	-	200	25	-	INOX	Universel
K3.80	16	80	190	120	30	-	-	300	25	-	INOX	Universel
K4.80	10	80	140	100	15	-	-	200	25	-	INOX	Universel
K4.80V	11	80	140	100	15	-	-	200	25	-	INOX & SCREW	Universel
K5.80	08	80	140	120	15	-	-	100	25	-	INOX	Universel
K60.80	06	80	140	100	15	-	-	150	25	-	INOX	Universel
K1.85	06	85	120	75	15	-	-	130	25	-	INOX	Universel
K2.85	10	85	120	100	15	-	-	150	25	-	INOX	Universel
K2.85V	11	85	120	100	15	-	-	150	25	-	INOX & SCREW	Universel
K3.85	15	85	180	120	15	-	-	140	25	-	INOX	Universel
K3.85V	16	85	180	120	15	-	-	140	25	-	INOX & SCREW	Universel
K4.85	15	85	180	120	15	-	-	125	25	-	INOX	Universel
K4.85V	16	85	180	120	15	-	-	125	25	-	INOX & SCREW	Universel
K1.90	08	90	140	100	15	-	-	130	25	-	INOX	Universel
K2.90	07	90	140	100	15	-	-	170	25	-	INOX	Universel
K4.90	05	90	140	100	15	-	-	70	25	-	INOX	Universel
K25.190	06	90	152	120	38	-	-	130	55	-	RUBBER	Universel (Entrée "venturi")
K25.290	07	90	152	120	38	-	-	150	55	-	RUBBER	Universel (Entrée "venturi")
K25.390	08	90	152	120	38	-	-	200	55	-	RUBBER	Universel (Entrée "venturi")
K60.90	09	90	140	100	15	-	-	230	25	-	INOX	Universel
K1.100	08	100	140	100	15	-	-	150	25	-	INOX	Universel
K3.100	15	100	200	120	15	-	-	200	25	-	INOX	Universel



FILTRES UNIVERSELS CONIQUES (suite)

Ref. Green	Code tarif Price code	D1 / L1	D2 / L2	D3 / L3	D4 / L4	D5 / L5	D6 / L6	H	Figure View	Angle	Chapeau Cap flange	Applicatif
K25.1100	06	100	152	120	38	-	-	130	55	-	RUBBER	Universel (Entrée "venturi")
K25.2100	07	100	152	120	38	-	-	150	55	-	RUBBER	Universel (Entrée "venturi")
K25.3100	08	100	152	120	38	-	-	200	55	-	RUBBER	Universel (Entrée "venturi")
K60.100	11	100	140	120	15	-	-	230	25	-	INOX	Universel
K61.100	15	100	140	120	15	-	-	350	25	-	INOX	Universel
K62.100	05	100	140	100	15	-	-	150	25	-	INOX	Universel
K1.102	11	102	200	120	15	-	-	200	25	-	INOX	Universel
K2.102	13	102	200	120	15	-	-	230	25	-	INOX	Universel
K1.110	07	110	140	100	15	-	-	130	25	-	INOX	Universel
K1.115	08	115	150	120	15	-	-	120	25	-	INOX	Universel
K60.115	07	115	150	120	15	-	-	150	25	-	INOX	Universel
K61.115	10	115	150	120	15	-	-	200	25	-	INOX	Universel
K1.125	10	125	170	100	20	-	-	150	25	-	INOX	Universel
K4.125	16	125	170	155	20	-	-	65	25	-	INOX	Universel
K1.150	12	150	190	100	15	-	-	200	25	-	INOX	Universel
K2.150	17	150	190	120	15	-	-	250	25	-	INOX	Universel
K3.150	09	150	190	120	15	-	-	140	25	-	INOX	Universel
K4.150	17	150	190	200	15	-	-	250	27	-	RUBBER	Universel

FILTRES UNIVERSELS CONIQUES BI-CONE



Ref. Green	Code tarif Price code	D1 / L1	D2 / L2	D3 / L3	D4 / L4	D5 / L5	D6 / L6	H	Figure View	Angle	Chapeau Cap flange	Applicatif
K6.50EXBC	15	50	135	120	15	-	-	140	41	-	RUBBER	Universel
K3.55BC	19	55	140	100	15	-	-	130	25	-	RUBBER	Universel
K1.110BC	16	110	140	100	15	-	-	130	25	-	RUBBER	Universel
K4.70BC	16	70	120	100	75	-	-	140	26	30°	RUBBER	Universel
K5.70BC	14	70	120	100	15	-	-	140	25	-	RUBBER	Universel
K6.70BC	17	70	120	100	75	-	-	160	26	30°	RUBBER	Universel
K8.70BC	08	70	120	100	75	-	-	200	26	30°	RUBBER	Universel
K14.70BC	19	70	140	100	15	-	-	200	25	-	RUBBER	Universel
K5.75BC	16	75	140	100	15	-	-	130	25	-	RUBBER	Universel
K6.75BC	16	75	140	100	15	-	-	150	25	-	RUBBER	Universel
K7.75BC	24	75	180	100	15	-	-	200	25	-	RUBBER	Universel
K4.80BC	19	80	140	100	15	-	-	200	25	-	RUBBER	Universel
K2.85BC	19	85	120	100	15	-	-	150	25	-	RUBBER	Universel
K3.150BC	18	150	190	120	15	-	-	140	25	-	RUBBER	Universel

FILTRES KARTING

Ref. Green	Code tarif Price code	D1 / L1	D2 / L2	D3 / L3	D4 / L4	D5 / L5	D6 / L6	H	Figure View	Angle	Chapeau Cap flange	Applicatif
RKA109	03	35	65	100				70	38			Karting/Honda GX 160/200/240/390 (Remplacement)
RKA101	04	156	70	190	104			54	9			Karting/Biland SA 250



FILTRES UNIVERSELS CYLINDRIQUES

Ref. Green	Code tarif Price code	D1 / L1	D2 / L2	D3 / L3	D4 / L4	D5 / L5	D6 / L6	H	Figure View	Angle	Chapeau Cap flange	Applicatif
B1.08	01	8	35	35	12	-	-	50	29	-	INOX	Universel
B1.10	01	10	35	35	12	-	-	50	29	-	INOX	Universel
B2.10	02	10	50	50	12	-	-	40	29	-	INOX	Universel
BSP1.13	03	13	75	75	22	35	-	75	34	-	INOX	Universel
BSP2.13	03	13	75	75	22	35	-	62	35	-	INOX	Universel
BSP3.13	03	13	75	75	19	31	-	45	36	-	INOX	Universel
B1.15	01	15	35	35	12	-	-	50	29	-	INOX	Universel
B2.15	02	15	50	50	12	-	-	50	29	-	INOX	Universel
B1.20	02	20	60	60	12	-	-	50	29	-	RUBBER	Universel
B2.20	03	20	60	60	12	-	-	100	29	-	RUBBER	Universel
B1.25	02	25	50	50	12	-	-	40	29	-	RUBBER	Universel
B1.28	03	28	75	75	15	-	-	62	31	-	INOX	Kating Honda GX 100/120
B1.30	03	30	70	70	15	-	-	50	29	-	RUBBER	Universel
B1.32	03	32	75	75	15	-	-	100	29	-	INOX	Universel
B1.35	03	35	75	75	15	-	-	60	29	-	INOX	Universel
B2.35	03	35	75	75	15	-	-	80	29	-	INOX	Universel
B3.35	03	35	75	75	15	-	-	62	31	-	INOX	Kating/Honda GX 160/200
BKA104	03	35	75	75	15	-	-	37	29	-	INOX	Kating/Universel Honda GX 160/200
BKA112	03	35	75	75	15	-	-	45	29	-	INOX	Kating/Universel Honda GX 160/200
BKA105	03	40	75	75	15	-	-	37	29	-	INOX	Kating/Universel Honda GX 240/ 270/390&Briggs et stratton
B1.40	03	40	75	75	15	-	-	60	29	-	INOX	Universel
B2.40	04	40	75	75	15	-	-	80	29	-	INOX	Universel
B3.40	05	40	75	75	15	-	-	60	29	-	INOX	Universel
B4.40	04	40	75	75	15	-	-	62	31	-	INOX	Kating/Universel Honda GX 240/ 270/390&Briggs et stratton
B1.50	03	50	100	100	15	-	-	100	29	-	INOX	Universel
B2.50	04	50	100	100	15	-	-	130	29	-	INOX	Universel
B3.50	05	50	100	100	15	-	-	160	29	-	INOX	Universel
B4.50	06	50	140	140	15	-	-	70	29	-	RUBBER	Universel
B5.50	04	50	100	100	15	-	-	70	29	-	INOX	Universel
B6.50EX	06	50	135	135	15	-	-	50	33	-	RUBBER	Universel
B8.50EX	07	50	180	115	15	-	-	50	32	-	RUBBER	Universel
B9.50EX	07	50	135	135	15	-	-	60	33	-	RUBBER	Universel
B10.50	07	50	140	140	15	-	-	60	29	-	RUBBER	Universel
B1.55	03	55	100	100	15	-	-	100	29	-	INOX	Universel
B2.55	05	55	100	100	15	-	-	130	29	-	INOX	Universel
B2.55V	06	55	100	100	15	-	-	130	29	-	INOX & SCREW	Universel
B3.55	07	55	140	140	15	-	-	130	29	-	RUBBER	Universel
B4.55	15	55	180	180	20	-	-	250	29	-	RUBBER	Universel
B1.60	03	60	100	100	15	-	-	55	29	-	INOX	Universel
B2.60	04	60	100	100	15	-	-	100	29	-	INOX	Universel
B3.60	04	60	100	100	15	-	-	130	29	-	INOX	Universel
B3.60V	05	60	100	100	15	-	-	130	29	-	INOX & SCREW	Universel
B4.60	07	60	140	140	15	-	-	150	29	-	RUBBER	Universel
B5.60	12	60	140	140	15	-	-	200	29	-	RUBBER	Universel
B6.60	09	60	100	100	15	-	-	200	29	-	INOX	Universel
B6.60V	10	60	100	100	15	-	-	200	29	-	INOX & SCREW	Universel
BKA113	05	62,5	100	100	15	-	-	100	29	-	INOX	Kating
BKA114	06	62,5	100	100	15	-	-	150	29	-	RUBBER	Kating
BKA115	06	62,5	100	100	45	-	-	100	30	25°	RUBBER	Kating
BKA116	08	62,5	100	100	45	-	-	150	30	25°	RUBBER	Kating
BKA117	06	62,5	120	120	15	-	-	100	29	-	RUBBER	Kating
BKA118	09	62,5	120	120	15	-	-	130	29	-	INOX	Kating
BKA119	06	62,5	100	100	15	-	-	130	29	-	INOX	Kating
BKA120	09	62,5	100	100	45	-	-	150	30	25°	Bi-cone	Kating
BKA121	09	62,5	100	100	15	-	-	150	29	-	Bi-cone	Kating
BKA124	11	62,5	120	100	30	-	-	150	45	10°	RUBBER	Kating
BKA125	12	62,5	120	100	30	-	-	170	45	20°	RUBBER	Kating
B1.65	04	65	100	100	15	-	-	100	29	-	INOX	Universel
B10.65	07	65	100	100	15	-	-	200	29	-	INOX	Universel
B2.65	05	65	100	100	15	-	-	130	29	-	INOX	Universel
B3.65	05	65	100	100	15	-	-	150	29	-	INOX	Universel



FILTRES UNIVERSELS CYLINDRIQUES

(suite)

Ref. Green	Code tarif Price code	D1 / L1	D2 / L2	D3 / L3	D4 / L4	D5 / L5	D6 / L6	H	Figure View	Angle	Chapeau Cap flange	Applicatif
B4.65	07	65	120	120	15	-	-	150	29	-	INOX	Universel
B5.65	04	65	140	140	15	-	-	55	29	-	RUBBER	Universel
B6.65	09	65	140	140	15	-	-	180	29	-	RUBBER	Universel
B7.65	10	65	140	140	15	-	-	250	29	-	RUBBER	Universel
BKA103	04	65	100	100	45	-	-	80	30	25°	INOX	Karting/Rotax max(Universel)
B8.65	06	65	100	100	45	-	-	130	30	25°	INOX	Universel
B9.65	06	65	100	100	45	-	-	150	30	25°	INOX	Universel
B1.67	04	67	135	135	15	-	-	130	33	-	RUBBER	Universel
B1.70	04	70	100	100	15	-	-	100	29	-	INOX	Universel
B2.70	06	70	120	120	75	-	-	100	30	30°	INOX	Universel
B3.70	05	70	100	100	15	-	-	130	29	-	INOX	Universel
B3.70V	06	70	100	100	15	-	-	130	29	-	INOX & SCREW	Universel
B4.70	07	70	120	120	75	-	-	130	30	30°	INOX	Universel
B5.70	06	70	100	100	15	-	-	150	29	-	INOX	Universel
B6.70	08	70	120	120	75	-	-	150	30	30°	INOX	Universel
B7.70	07	70	100	100	15	-	-	200	29	-	INOX	Universel
B7.70V	08	70	100	100	15	-	-	200	29	-	INOX & SCREW	Universel
B8.70	09	70	120	120	75	-	-	200	30	30°	INOX	Universel
B9.70	05	70	120	120	15	-	-	130	29	-	INOX	Universel
B10.70	07	70	120	120	15	-	-	150	29	-	INOX	Universel
B11.70	05	70	140	140	15	-	-	70	29	-	RUBBER	Universel
B12.70	06	70	140	140	15	-	-	100	29	-	RUBBER	Universel
B13.70	07	70	140	140	15	-	-	130	29	-	RUBBER	Universel
B14.70	09	70	140	140	15	-	-	200	29	-	RUBBER	Universel
B15.70	11	70	120	120	15	-	-	230	29	-	INOX	Universel
B16.70	04	70	100	100	15	-	-	185	29	-	INOX	Universel
B1.75	04	75	110	110	15	-	-	100	29	-	RUBBER	Universel
B2.75	05	75	110	110	15	-	-	130	29	-	RUBBER	Universel
B3.75	05	75	110	110	15	-	-	150	29	-	RUBBER	Universel
B4.75	07	75	120	120	15	-	-	130	29	-	INOX	Universel
B5.75	07	75	140	140	15	-	-	130	29	-	RUBBER	Universel
B6.75	09	75	140	140	15	-	-	150	29	-	RUBBER	Universel
B7.75	07	75	180	180	15	-	-	60	29	-	RUBBER	Universel
B8.75	09	75	180	180	15	-	-	100	29	-	RUBBER	Universel
B9.75	12	75	180	180	15	-	-	150	29	-	RUBBER	Universel
B60.75	04	75	110	110	15	-	-	100	29	-	RUBBER	Universel
B61.75	07	75	120	120	15	-	-	130	29	-	INOX	Universel
B62.75	09	75	120	120	15	-	-	170	29	-	INOX	Universel
B1.80	06	80	110	110	15	-	-	130	29	-	RUBBER	Universel
B2.80	10	80	110	110	15	-	-	200	29	-	RUBBER	Universel
B3.80	15	80	190	190	35	-	-	300	29	-	RUBBER	Universel
B4.80	10	80	140	140	15	-	-	200	29	-	RUBBER	Universel
B2.85	10	85	120	120	15	-	-	150	29	-	INOX	Universel
B1.90	08	90	140	140	15	-	-	130	29	-	RUBBER	Universel
B2.90	08	90	140	140	15	-	-	60	29	-	RUBBER	Universel
B1.95	10	95	151	151	23	-	-	240	29	-	RUBBER	Universel
B1.100	08	100	140	140	15	-	-	150	29	-	RUBBER	Universel
B2.100	12	100	200	200	15	-	-	150	29	-	RUBBER	Universel
B3.100	15	100	200	200	15	-	-	200	29	-	RUBBER	Universel
B4.100	10	100	140	140	15	-	-	90	29	-	RUBBER	Universel
B5.100	10	100	140	140	15	-	-	65	29	-	RUBBER	Universel
B1.150	12	150	190	200	15	-	-	200	29	-	RUBBER	Universel
B2.150	15	150	190	200	15	-	-	250	29	-	RUBBER	Universel

FILTRES UNIVERSELS CYLINDRIQUES BI-CONE

Ref. Green	Code tarif Price code	D1 / L1	D2 / L2	D3 / L3	D4 / L4	D5 / L5	D6 / L6	H	Figure View	Angle	Chapeau Cap flange	Applicatif
B3.60BC	12	60	100	100	15	-	-	130	29	-	RUBBER	Universel
B6.60BC	18	60	100	100	15	-	-	200	29	-	RUBBER	Universel
B10.65BC	16	65	100	100	15	-	-	200	29	-	RUBBER	Universel
B2.65BC	13	65	100	100	15	-	-	130	29	-	RUBBER	Universel
B3.65BC	12	65	100	100	15	-	-	150	29	-	RUBBER	Universel
B4.65BC	14	65	120	120	15	-	-	150	29	-	RUBBER	Universel
B9.65BC	15	65	100	100	45	-	-	150	30	25°	RUBBER	Universel
B10.70BC	11	70	120	120	15	-	-	150	29	-	RUBBER	Universel
B3.70BC	12	70	100	100	15	-	-	130	29	-	RUBBER	Universel
B5.70BC	15	70	100	100	15	-	-	150	29	-	RUBBER	Universel
B6.70BC	17	70	120	120	75	-	-	150	30	30°	RUBBER	Universel
B7.70BC	11	70	100	100	15	-	-	200	29	-	RUBBER	Universel
B8.70BC	18	70	120	120	75	-	-	200	30	30°	RUBBER	Universel
B2.85BC	19	85	120	120	15	-	-	150	29	-	RUBBER	Universel

FILTRES UNIVERSELS CYLINDRIQUES (entrée métal)

Ref. Green	Code tarif Price code	D1 / L1	D2 / L2	D3 / L3	D4 / L4	D5 / L5	D6 / L6	H	Figure View	Angle	Chapeau Cap flange	Applicatif
B27110	02	10	50	50	25	-	-	40	37	-	INOX	Universel
B27210	01	10	50	50	25	-	-	62	37	-	INOX	Universel
B27310	02	10	50	50	25	-	-	40	102	-	INOX	Universel
B27119	03	19	75	75	25	-	-	50	37	-	INOX	Universel
B27219	03	19	75	75	25	-	-	62	56	-	INOX	Universel
B27125	03	25	75	75	24	-	-	50	37	-	INOX	Universel
B27225	03	25	75	75	24	-	-	62	56	-	INOX	Universel
B27319	02	25	75	75	24	-	-	56	37	-	INOX	Universel



DIAMOND

Ref. Green	Code tarif Price code	D1 / L1	D2 / L2	D3 / L3	D4 / L4	D5 / L5	D6 / L6	H	Figure View	Angle	Chapeau Cap flange	Applicatif
D70.150	31	70	150	120	70	-	-	150	61	-	ALU	Universel
D80.150	31	80	150	120	70	-	-	150	61	-	ALU	Universel
D90.150	31	90	150	120	70	-	-	150	61	-	ALU	Universel



TWISTER

Ref. Green	Code tarif Price code	D1 / L1	D2 / L2	D3 / L3	D4 / L4	D5 / L5	D6 / L6	H	Figure View	Angle	Chapeau Cap flange
------------	--------------------------	---------	---------	---------	---------	---------	---------	---	----------------	-------	-----------------------

Twister filtre seul / only filter

Standard

TW65	17	65	145	-	17	-	-	200	42	-	-
TW70	17	70	145	-	17	-	-	200	42	-	-
TW75	17	75	145	-	17	-	-	200	42	-	-
TW80	17	80	145	-	17	-	-	200	42	-	-
TW85	17	85	145	-	17	-	-	200	42	-	-

Twister XL

K2125	26	125	170	-	17	-	-	225	42	-	-
-------	----	-----	-----	---	----	---	---	-----	----	---	---

Twister XXL

K3125	29	125	170	-	17	-	-	280	42	-	-
-------	----	-----	-----	---	----	---	---	-----	----	---	---

Twister standard

Alu

TW65A	29	65	145	80	17	-	-	205	-	-	-
TW70A	29	70	145	80	17	-	-	205	-	-	-
TW75A	29	75	145	80	17	-	-	205	-	-	-
TW80A	29	80	145	80	17	-	-	205	-	-	-
TW85A	29	85	145	80	17	-	-	205	-	-	-

Bleu / blue

TW65B	29	65	145	80	17	-	-	205	-	-	-
TW70B	29	70	145	80	17	-	-	205	-	-	-
TW75B	29	75	145	80	17	-	-	205	-	-	-
TW80B	29	80	145	80	17	-	-	205	-	-	-
TW85B	29	85	145	80	17	-	-	205	-	-	-

Rouge / red

TW65R	29	65	145	80	17	-	-	205	-	-	-
TW70R	29	70	145	80	17	-	-	205	-	-	-
TW75R	29	75	145	80	17	-	-	205	-	-	-
TW80R	29	80	145	80	17	-	-	205	-	-	-
TW85R	29	85	145	80	17	-	-	205	-	-	-

Carbone

TW65C	46	65	145	80	17	-	-	205	-	-	-
TW70C	46	70	145	80	17	-	-	205	-	-	-
TW75C	46	75	145	80	17	-	-	205	-	-	-
TW80C	46	80	145	80	17	-	-	205	-	-	-
TW85C	46	85	145	80	17	-	-	205	-	-	-

Cristal

TW65T	40	65	145	80	17	-	-	205	-	-	-
TW70T	40	70	145	80	17	-	-	205	-	-	-
TW75T	40	75	145	80	17	-	-	205	-	-	-
TW80T	40	80	145	80	17	-	-	205	-	-	-
TW85T	40	85	145	80	17	-	-	205	-	-	-

Twister XL alu

TWA70XL	42	70	188	80	18	-	-	250	-	-	-
TWA85XL	42	85	188	80	18	-	-	250	-	-	-

Twister XXL alu

TW70AXXL	46	70	204	100	20	-	-	300	-	-	-
TW85AXXL	46	85	204	100	20	-	-	300	-	-	-
TW95AXXL	46	95	204	100	20	-	-	300	-	-	-



POWERFLOW CONIQUE

Ref. Green	Code tarif Price code	D1 / L1	D2 / L2	D3 / L3	D4 / L4	D5 / L5	D6 / L6	H	Figure View	Angle	Chapeau Cap flange	Applicatif
ARGENT / SILVER												
CA1.50	18	50	140	120	15	-	-	130	25	-	ALU	Universel
CA2.50	21	50	135	120	15	-	-	130	33	-	ALU	Universel
CA1.55	18	55	140	120	15	-	-	130	25	-	ALU	Universel
CA2.55	23	55	140	120	15	-	-	250	25	-	ALU	Universel
CA1.60	19	60	140	120	15	-	-	150	25	-	ALU	Universel
CA2.60	21	60	140	120	15	-	-	200	25	-	ALU	Universel
CAO 002	22	61	117	120	-	15	-	150	43	-	ALU	Universel
CA1.65	18	65	140	120	15	-	-	130	25	-	ALU	Universel
CA2.65	21	65	140	120	15	-	-	200	25	-	ALU	Universel
CA3.65	23	65	140	120	15	-	-	250	25	-	ALU	Universel
CA1.70	18	70	140	120	15	-	-	130	25	-	ALU	Universel
CA2.70	21	70	140	120	15	-	-	200	25	-	ALU	Universel
CA1.75	18	75	140	120	15	-	-	130	25	-	ALU	Universel
CA2.75	19	75	140	120	15	-	-	150	25	-	ALU	Universel
CA3.75	26	75	180	120	15	-	-	250	25	-	ALU	Universel
CA1.80	20	80	140	120	15	-	-	200	25	-	ALU	Universel
CA2.80	29	80	190	120	15	-	-	300	25	-	ALU	Universel
CA3.80	30	80	140	120	15	-	-	150	25	-	ALU	Universel
CA1.90	18	90	140	120	15	-	-	130	25	-	ALU	Universel
CA2.90	20	90	140	120	15	-	-	170	25	-	ALU	Universel
CA3.90	23	90	140	120	15	-	-	250	25	-	ALU	Universel
CA1.100	19	100	140	120	15	-	-	150	25	-	ALU	Universel
CA2.100	27	100	200	120	15	-	-	200	25	-	ALU	Universel
CA1.110	18	110	140	120	15	-	-	130	25	-	ALU	Universel
CA1.115	20	115	150	120	15	-	-	150	25	-	ALU	Universel
CA1.125	22	125	170	120	15	-	-	150	25	-	ALU	Universel
CA1.150	25	150	190	120	15	-	-	200	25	-	ALU	Universel
CA2.150	21	150	190	120	15	-	-	140	25	-	ALU	Universel
CA3.150	27	150	190	120	15	-	-	250	25	-	ALU	Universel

BLEU/ BLUE

CB1.50	18	50	140	120	15	-	-	130	25	-	ALU	Universel
CB2.50	21	50	135	120	15	-	-	130	33	-	ALU	Universel
CB1.55	18	55	140	120	15	-	-	130	25	-	ALU	Universel
CB2.55	23	55	140	120	15	-	-	250	25	-	ALU	Universel
CB1.60	19	60	140	120	15	-	-	150	25	-	ALU	Universel
CB2.60	21	60	140	120	15	-	-	200	25	-	ALU	Universel
CB0 002	22	61	117	120	-	15	-	150	43	-	ALU	Universel
CB1.65	18	65	140	120	15	-	-	130	25	-	ALU	Universel
CB2.65	21	65	140	120	15	-	-	200	25	-	ALU	Universel
CB3.65	23	65	140	120	15	-	-	250	25	-	ALU	Universel
CB1.70	18	70	140	120	15	-	-	130	25	-	ALU	Universel
CB2.70	21	70	140	120	15	-	-	200	25	-	ALU	Universel
CB1.75	18	75	140	120	15	-	-	130	25	-	ALU	Universel
CB2.75	19	75	140	120	15	-	-	150	25	-	ALU	Universel
CB3.75	26	75	180	120	15	-	-	250	25	-	ALU	Universel
CB1.80	20	80	140	120	15	-	-	200	25	-	ALU	Universel
CB2.80	29	80	190	120	15	-	-	300	25	-	ALU	Universel
CB3.80	30	80	140	120	15	-	-	150	25	-	ALU	Universel
CB1.90	18	90	140	120	15	-	-	130	25	-	ALU	Universel
CB2.90	20	90	140	120	15	-	-	170	25	-	ALU	Universel
CB3.90	23	90	140	120	15	-	-	250	25	-	ALU	Universel
CB1.100	19	100	140	120	15	-	-	150	25	-	ALU	Universel
CB2.100	27	100	200	120	15	-	-	200	25	-	ALU	Universel
CB1.110	18	110	140	120	15	-	-	130	25	-	ALU	Universel
CB1.115	20	115	150	120	15	-	-	150	25	-	ALU	Universel
CB1.125	22	125	170	120	15	-	-	150	25	-	ALU	Universel
CB1.150	25	150	190	120	15	-	-	200	25	-	ALU	Universel
CB2.150	21	150	190	120	15	-	-	140	25	-	ALU	Universel
CB3.150	27	150	190	120	15	-	-	250	25	-	ALU	Universel



POWERFLOW CONIQUE (suite)

Ref. Green	Code tarif Price code	D1 / L1	D2 / L2	D3 / L3	D4 / L4	D5 / L5	D6 / L6	H	Figure View	Angle	Chapeau Cap flange	Applicatif
OR / GOLD												
CO1.50	18	50	140	120	15	-	-	130	25	-	ALU	Universel
CO2.50	21	50	135	120	15	-	-	130	33	-	ALU	Universel
CO1.55	18	55	140	120	15	-	-	130	25	-	ALU	Universel
CO2.55	23	55	140	120	15	-	-	250	25	-	ALU	Universel
CO1.60	19	60	140	120	15	-	-	150	25	-	ALU	Universel
CO2.60	21	60	140	120	15	-	-	200	25	-	ALU	Universel
CO0 002	22	61	117	120	-	15	-	150	43	-	ALU	Universel
CO1.65	18	65	140	120	15	-	-	130	25	-	ALU	Universel
CO2.65	21	65	140	120	15	-	-	200	25	-	ALU	Universel
CO3.65	23	65	140	120	15	-	-	250	25	-	ALU	Universel
CO1.70	18	70	140	120	15	-	-	130	25	-	ALU	Universel
CO2.70	21	70	140	120	15	-	-	200	25	-	ALU	Universel
CO1.75	18	75	140	120	15	-	-	130	25	-	ALU	Universel
CO2.75	19	75	140	120	15	-	-	150	25	-	ALU	Universel
CO3.75	26	75	180	120	15	-	-	250	25	-	ALU	Universel
CO1.80	20	80	140	120	15	-	-	200	25	-	ALU	Universel
CO2.80	29	80	190	120	15	-	-	300	25	-	ALU	Universel
CO3.80	30	80	140	120	15	-	-	150	25	-	ALU	Universel
CO1.90	18	90	140	120	15	-	-	130	25	-	ALU	Universel
CO2.90	20	90	140	120	15	-	-	170	25	-	ALU	Universel
CO3.90	23	90	140	120	15	-	-	250	25	-	ALU	Universel
CO1.100	19	100	140	120	15	-	-	150	25	-	ALU	Universel
CO2.100	27	100	200	120	15	-	-	200	25	-	ALU	Universel
CO1.110	18	110	140	120	15	-	-	130	25	-	ALU	Universel
CO1.115	20	115	150	120	15	-	-	150	25	-	ALU	Universel
CO1.125	22	125	170	120	15	-	-	150	25	-	ALU	Universel
CO1.150	25	150	190	120	15	-	-	200	25	-	ALU	Universel
CO2.150	21	150	190	120	15	-	-	140	25	-	ALU	Universel
CO3.150	27	150	190	120	15	-	-	250	25	-	ALU	Universel

ROUGE / RED

CR1.50	18	50	140	120	15	-	-	130	25	-	ALU	Universel
CR2.50	21	50	135	120	15	-	-	130	33	-	ALU	Universel
CR1.55	18	55	140	120	15	-	-	130	25	-	ALU	Universel
CR2.55	23	55	140	120	15	-	-	250	25	-	ALU	Universel
CR1.60	19	60	140	120	15	-	-	150	25	-	ALU	Universel
CR2.60	21	60	140	120	15	-	-	200	25	-	ALU	Universel
CR0 002	22	61	117	120	-	15	-	150	43	-	ALU	Universel
CR1.65	18	65	140	120	15	-	-	130	25	-	ALU	Universel
CR2.65	21	65	140	120	15	-	-	200	25	-	ALU	Universel
CR3.65	23	65	140	120	15	-	-	250	25	-	ALU	Universel
CR1.70	18	70	140	120	15	-	-	130	25	-	ALU	Universel
CR2.70	21	70	140	120	15	-	-	200	25	-	ALU	Universel
CR1.75	18	75	140	120	15	-	-	130	25	-	ALU	Universel
CR2.75	19	75	140	120	15	-	-	150	25	-	ALU	Universel
CR3.75	26	75	180	120	15	-	-	250	25	-	ALU	Universel
CR1.80	20	80	140	120	15	-	-	200	25	-	ALU	Universel
CR2.80	29	80	190	120	15	-	-	300	25	-	ALU	Universel
CR3.80	30	80	140	120	15	-	-	150	25	-	ALU	Universel
CR1.90	18	90	140	120	15	-	-	130	25	-	ALU	Universel
CR2.90	20	90	140	120	15	-	-	170	25	-	ALU	Universel
CR3.90	23	90	140	120	15	-	-	250	25	-	ALU	Universel
CR1.100	19	100	140	120	15	-	-	150	25	-	ALU	Universel
CR2.100	27	100	200	120	15	-	-	200	25	-	ALU	Universel
CR1.110	18	110	140	120	15	-	-	130	25	-	ALU	Universel
CR1.115	20	115	150	120	15	-	-	150	25	-	ALU	Universel
CR1.125	22	125	170	120	15	-	-	150	25	-	ALU	Universel
CR1.150	25	150	190	120	15	-	-	200	25	-	ALU	Universel
CR2.150	21	150	190	120	15	-	-	140	25	-	ALU	Universel
CR3.150	27	150	190	120	15	-	-	250	25	-	ALU	Universel



POWERFLOW CYLINDRIQUE

Ref. Green	Code tarif Price code	D1 / L1	D2 / L2	D3 / L3	D4 / L4	D5 / L5	D6 / L6	H	Figure View	Angle	Chapeau Cap flange	Applicatif
ARGENT / SILVER												
TA1.65	17	65	120	120	15	-	-	150	29	-	ALU	Universel
TA2.65	17	65	120	120	15	-	-	130	29	-	ALU	Universel
TA3.65	18	65	120	120	15	-	-	180	29	-	ALU	Universel
TA4.65	20	65	120	120	15	-	-	250	29	-	ALU	Universel
TA1.70	17	70	120	120	15	-	-	140	29	-	ALU	Universel
TA2.70	20	70	120	120	75	-	-	130	30	30°	ALU	Universel
TA3.70	17	70	120	120	15	-	-	150	29	-	ALU	Universel
TA4.70	20	70	120	120	75	-	-	150	30	30°	ALU	Universel
TA5.70	19	70	120	120	15	-	-	180	29	-	ALU	Universel
TA6.70	21	70	120	120	75	-	-	180	30	30°	ALU	Universel
TA7.70	19	70	120	120	15	-	-	200	29	-	ALU	Universel
TA8.70	22	70	120	120	75	-	-	200	30	30°	ALU	Universel
TA9.70	20	70	120	120	15	-	-	250	29	-	ALU	Universel
TA1.75	17	75	120	120	15	-	-	130	29	-	ALU	Universel
TA2.75	17	75	120	120	15	-	-	150	29	-	ALU	Universel
TA3.75	18	75	120	120	15	-	-	180	29	-	ALU	Universel
TA1.85	17	85	120	120	15	-	-	130	29	-	ALU	Universel
TA2.85	17	85	120	120	15	-	-	150	29	-	ALU	Universel
TA3.85	18	85	120	120	15	-	-	180	29	-	ALU	Universel
TA4.85	19	85	120	120	15	-	-	200	29	-	ALU	Universel
BLEU/ BLUE												
TB1.65	17	65	120	120	15	-	-	150	29	-	ALU	Universel
TB2.65	17	65	120	120	15	-	-	130	29	-	ALU	Universel
TB3.65	18	65	120	120	15	-	-	180	29	-	ALU	Universel
TB4.65	20	65	120	120	15	-	-	250	29	-	ALU	Universel
TB1.70	17	70	120	120	15	-	-	140	29	-	ALU	Universel
TB2.70	20	70	120	120	75	-	-	130	30	30°	ALU	Universel
TB3.70	17	70	120	120	15	-	-	150	29	-	ALU	Universel
TB4.70	20	70	120	120	75	-	-	150	30	30°	ALU	Universel
TB5.70	19	70	120	120	15	-	-	180	29	-	ALU	Universel
TB6.70	21	70	120	120	75	-	-	180	30	30°	ALU	Universel
TB7.70	19	70	120	120	15	-	-	200	29	-	ALU	Universel
TB8.70	22	70	120	120	75	-	-	200	30	30°	ALU	Universel
TB9.70	20	70	120	120	15	-	-	250	29	-	ALU	Universel
TB1.75	17	75	120	120	15	-	-	130	29	-	ALU	Universel
TB2.75	17	75	120	120	15	-	-	150	29	-	ALU	Universel
TB3.75	18	75	120	120	15	-	-	180	29	-	ALU	Universel
TB1.85	17	85	120	120	15	-	-	130	29	-	ALU	Universel
TB2.85	17	85	120	120	15	-	-	150	29	-	ALU	Universel
TB3.85	18	85	120	120	15	-	-	180	29	-	ALU	Universel
TB4.85	19	85	120	120	15	-	-	200	29	-	ALU	Universel
OR / GOLD												
TO1.65	17	65	120	120	15	-	-	150	29	-	ALU	Universel
TO2.65	17	65	120	120	15	-	-	130	29	-	ALU	Universel
TO3.65	18	65	120	120	15	-	-	180	29	-	ALU	Universel
TO4.65	20	65	120	120	15	-	-	250	29	-	ALU	Universel
TO1.70	17	70	120	120	15	-	-	140	29	-	ALU	Universel
TO2.70	20	70	120	120	75	-	-	130	30	30°	ALU	Universel
TO3.70	17	70	120	120	15	-	-	150	29	-	ALU	Universel
TO4.70	20	70	120	120	75	-	-	150	30	30°	ALU	Universel
TO5.70	19	70	120	120	15	-	-	180	29	-	ALU	Universel
TO6.70	21	70	120	120	75	-	-	180	30	30°	ALU	Universel
TO7.70	19	70	120	120	15	-	-	200	29	-	ALU	Universel
TO8.70	22	70	120	120	75	-	-	200	30	30°	ALU	Universel
TO9.70	20	70	120	120	15	-	-	250	29	-	ALU	Universel
TO1.75	17	75	120	120	15	-	-	130	29	-	ALU	Universel
TO2.75	17	75	120	120	15	-	-	150	29	-	ALU	Universel
TO3.75	18	75	120	120	15	-	-	180	29	-	ALU	Universel
TO1.85	17	85	120	120	15	-	-	130	29	-	ALU	Universel
TO2.85	17	85	120	120	15	-	-	150	29	-	ALU	Universel
TO3.85	18	85	120	120	15	-	-	180	29	-	ALU	Universel
TO4.85	19	85	120	120	15	-	-	200	29	-	ALU	Universel



POWERFLOW CYLINDRIQUE

(suite)

Ref. Green	Code tarif Price code	D1 / L1	D2 / L2	D3 / L3	D4 / L4	D5 / L5	D6 / L6	H	Figure View	Angle	Chapeau Cap flange	Applicatif
ROUGE / RED												
TR1.65	17	65	120	120	15	-	-	150	29	-	ALU	Universel
TR2.65	17	65	120	120	15	-	-	130	29	-	ALU	Universel
TR3.65	18	65	120	120	15	-	-	180	29	-	ALU	Universel
TR4.65	20	65	120	120	15	-	-	250	29	-	ALU	Universel
TR1.70	17	70	120	120	15	-	-	140	29	-	ALU	Universel
TR2.70	20	70	120	120	75	-	-	130	30	30°	ALU	Universel
TR3.70	17	70	120	120	15	-	-	150	29	-	ALU	Universel
TR4.70	20	70	120	120	75	-	-	150	30	30°	ALU	Universel
TR5.70	19	70	120	120	15	-	-	180	29	-	ALU	Universel
TR6.70	21	70	120	120	75	-	-	180	30	30°	ALU	Universel
TR7.70	19	70	120	120	15	-	-	200	29	-	ALU	Universel
TR8.70	22	70	120	120	75	-	-	200	30	30°	ALU	Universel
TR9.70	20	70	120	120	15	-	-	250	29	-	ALU	Universel
TR1.75	17	75	120	120	15	-	-	130	29	-	ALU	Universel
TR2.75	17	75	120	120	15	-	-	150	29	-	ALU	Universel
TR3.75	18	75	120	120	15	-	-	180	29	-	ALU	Universel
TR1.85	17	85	120	120	15	-	-	130	29	-	ALU	Universel
TR2.85	17	85	120	120	15	-	-	150	29	-	ALU	Universel
TR3.85	18	85	120	120	15	-	-	180	29	-	ALU	Universel
TR4.85	19	85	120	120	15	-	-	200	29	-	ALU	Universel

PRODUITS DE NETTOYAGE

Kit de nettoyage

Ce kit contient un flacon de nettoyant et un flacon d'huile.

Il existe en 2 tailles.

Désignation	Réf. Green
Kit de nettoyage 0,5 l + 300 ml	NH01
Kit de nettoyage 0,5 l + 50 ml	NH02



Nous recommandons de nettoyer le filtre tous les 7 à 10.000 km (suivant utilisation) ou tous les 6 mois afin d'obtenir les meilleurs résultats.

Nettoyant

Ce nettoyant est spécialement conçu pour dégraisser et nettoyer en profondeur le filtre en coton. Il est bio-dégradable.

Désignation	Réf. Green
Nettoyant 5 litres	NET5
Nettoyant 1 litre	NET1
Nettoyant 0,5 litre	NET05



Huile

Ce produit est spécialement adapté au filtre à air Green. Le filtre est vendu déjà huilé. Il doit être huilé après le nettoyage.

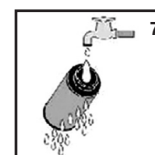
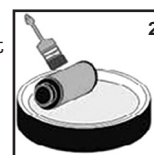
Désignation	Réf. Green
Huile 300 ml	H300
Huile 50 ml	H50



Attention : ne pas utiliser d'autres produits pour nettoyer votre filtre Green Cotton Air Filter.

Nettoyage du filtre

- Retirer le filtre.
- Brosser l'intérieur et l'extérieur du filtre pour enlever les poussières et saletés.
- Imprégner le filtre de nettoyant Green.
- Laisser agir le produit environ 15 minutes.
- Rincer le filtre à l'eau chaude, par l'intérieur puis par l'extérieur. Pour les filtres fortement encrassés, ne pas hésiter à renouveler l'opération.
- Secouer le filtre pour évacuer l'eau.
- Faire sécher le filtre sur un radiateur tiède, ou à l'aide d'un sèche-cheveux.
- Vaporiser l'huile Green sur toute la surface du filtre, uniformément mais sans excès.



FIGURES

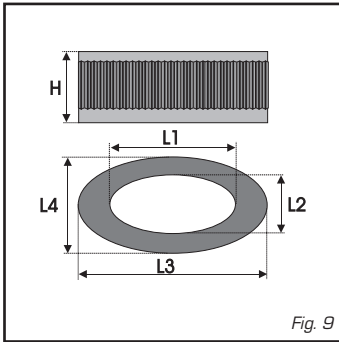


Fig. 9

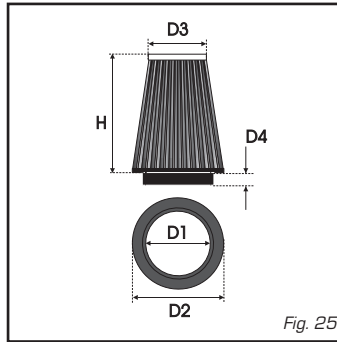


Fig. 25

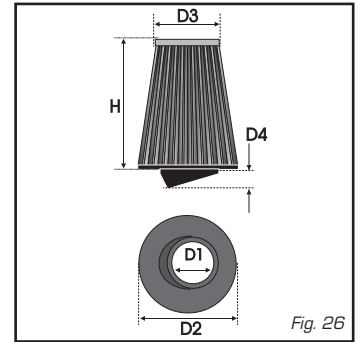


Fig. 26

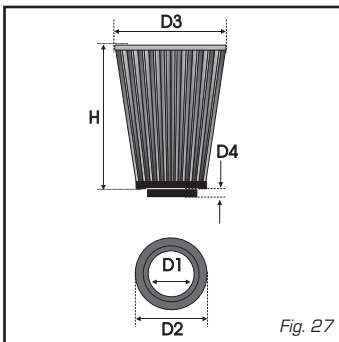


Fig. 27

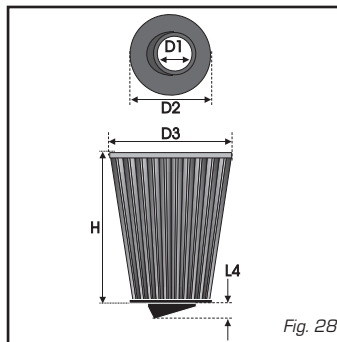


Fig. 28

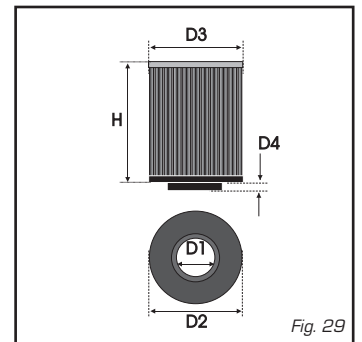


Fig. 29

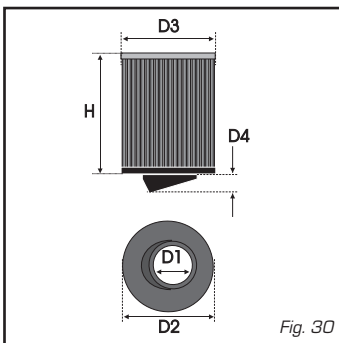


Fig. 30

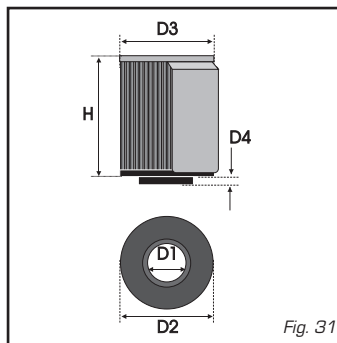


Fig. 31

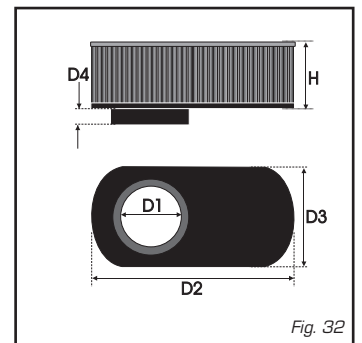


Fig. 32

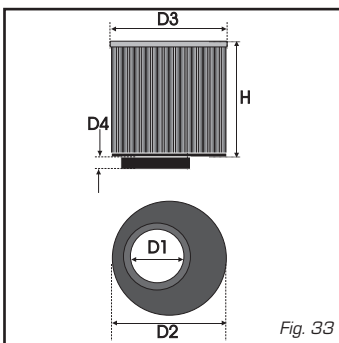


Fig. 33

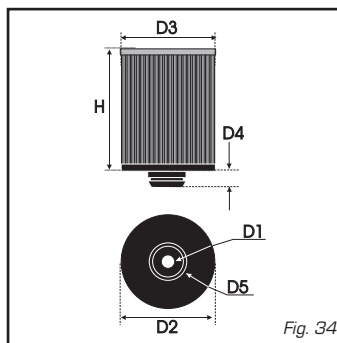


Fig. 34

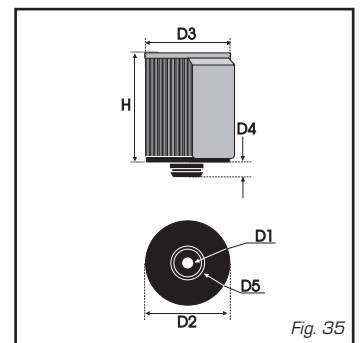


Fig. 35

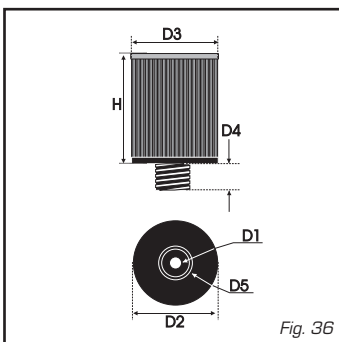


Fig. 36

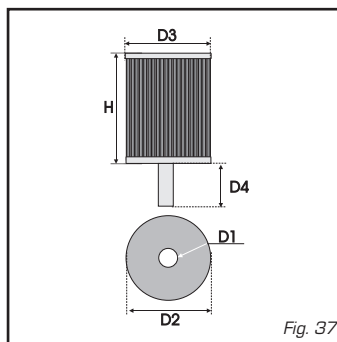


Fig. 37

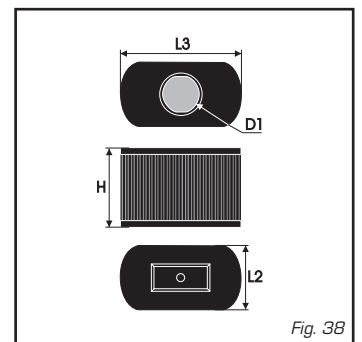


Fig. 38

FIGURES (suite)

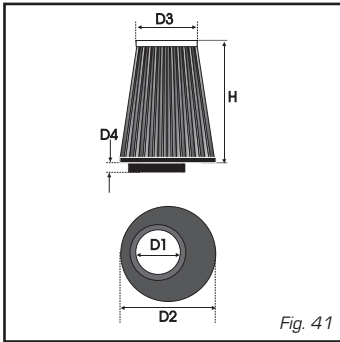


Fig. 41

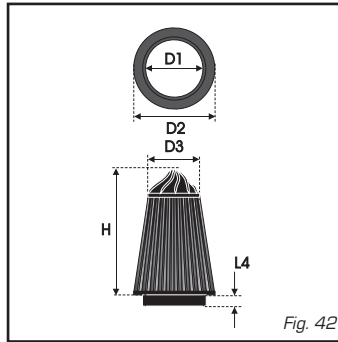


Fig. 42

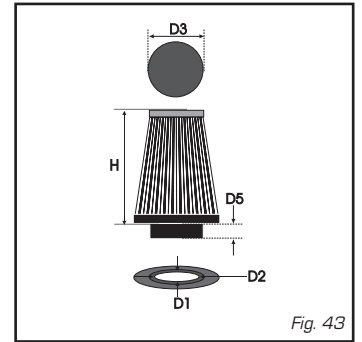


Fig. 43

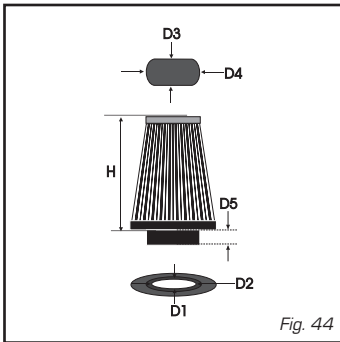


Fig. 44

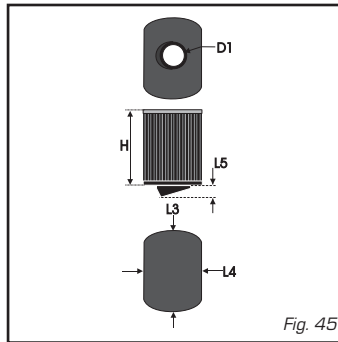


Fig. 45

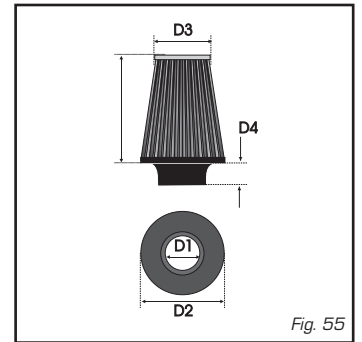


Fig. 55

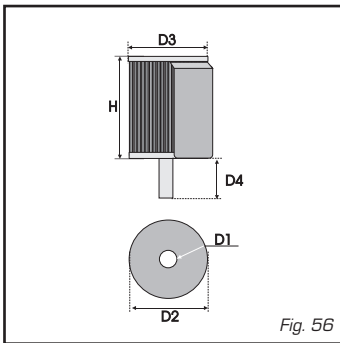


Fig. 56

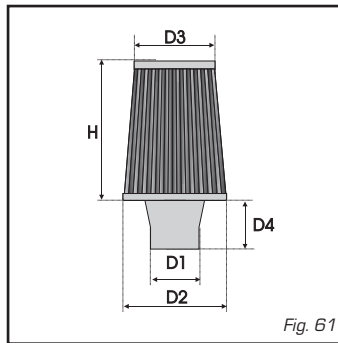


Fig. 61

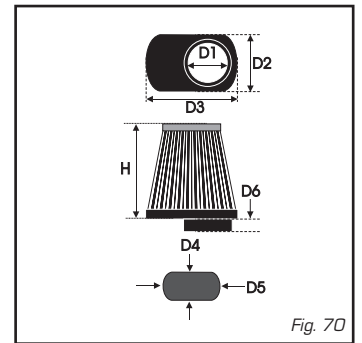


Fig. 70

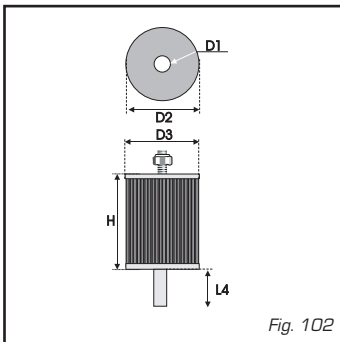


Fig. 102

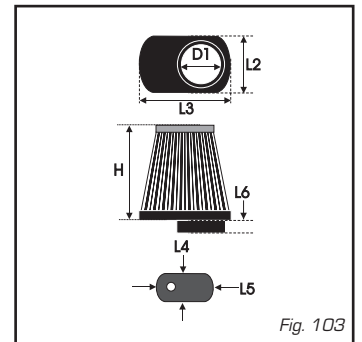


Fig. 103

NOUVEAUTÉ 2005

STORM

